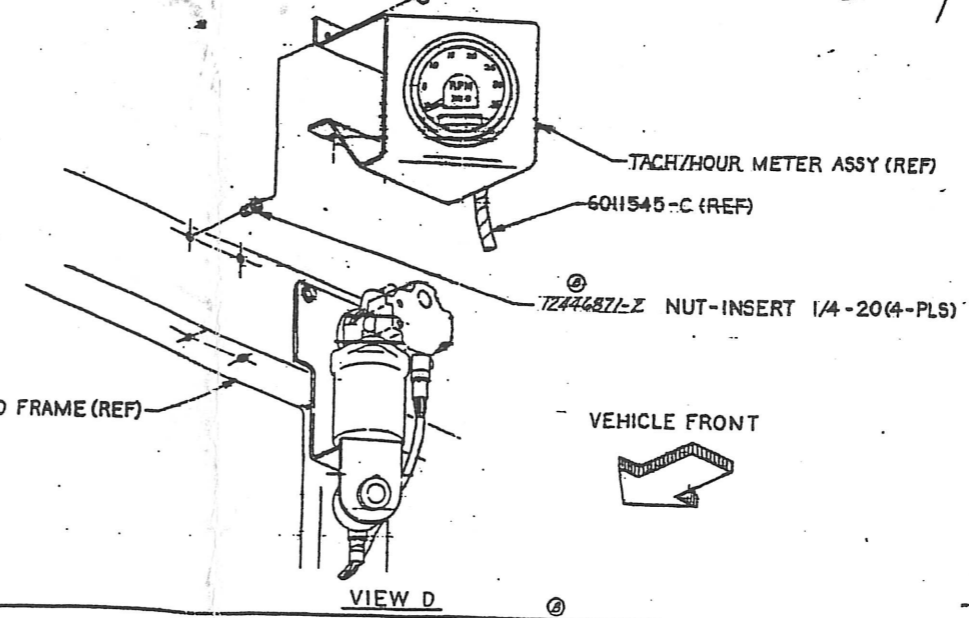
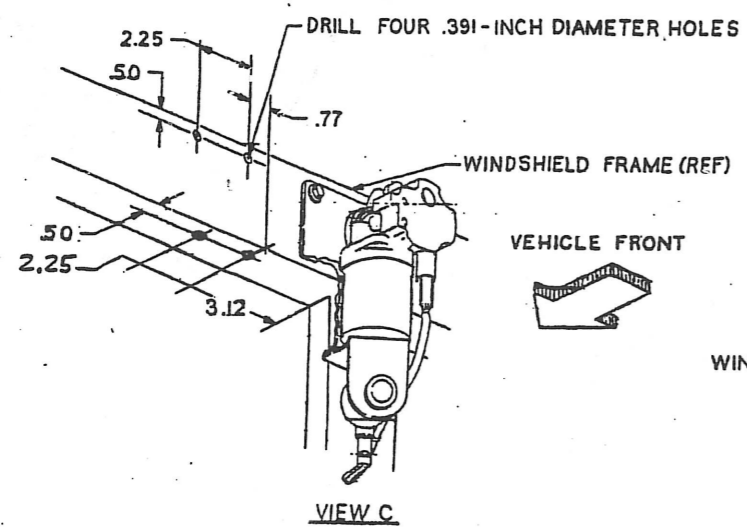
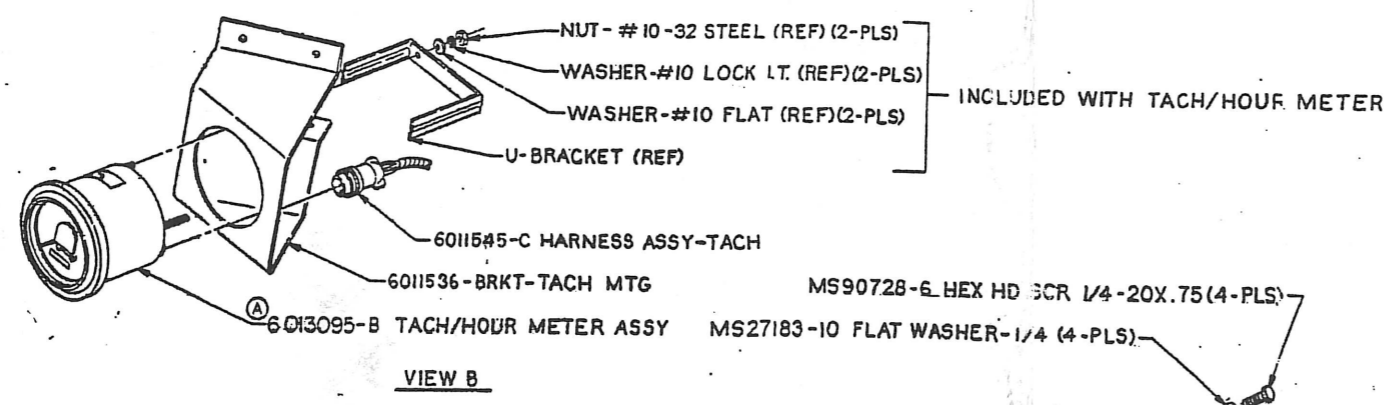
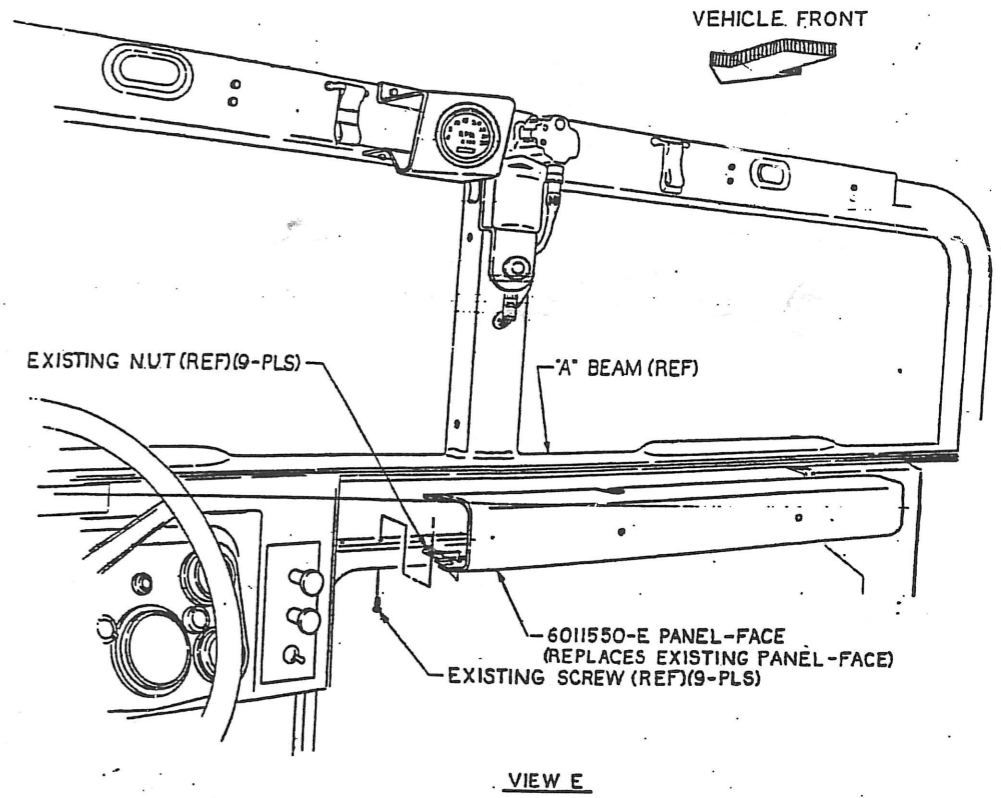
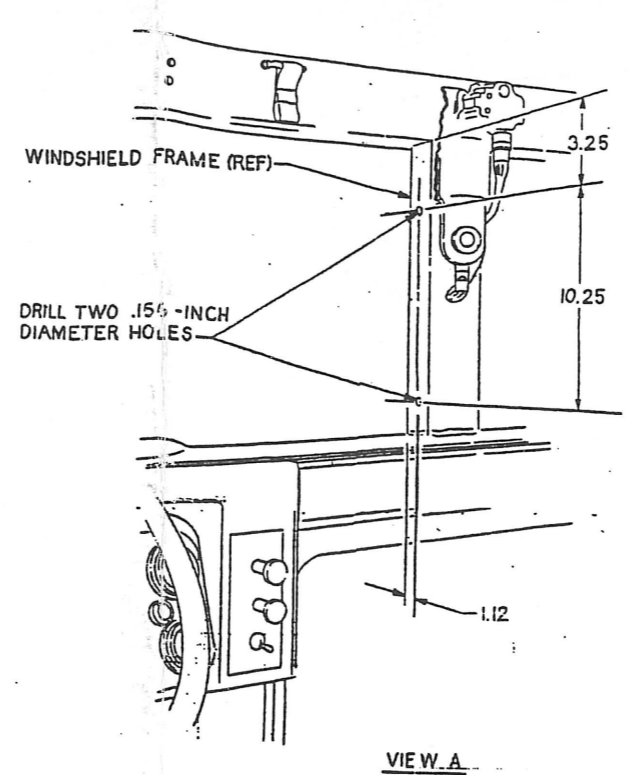
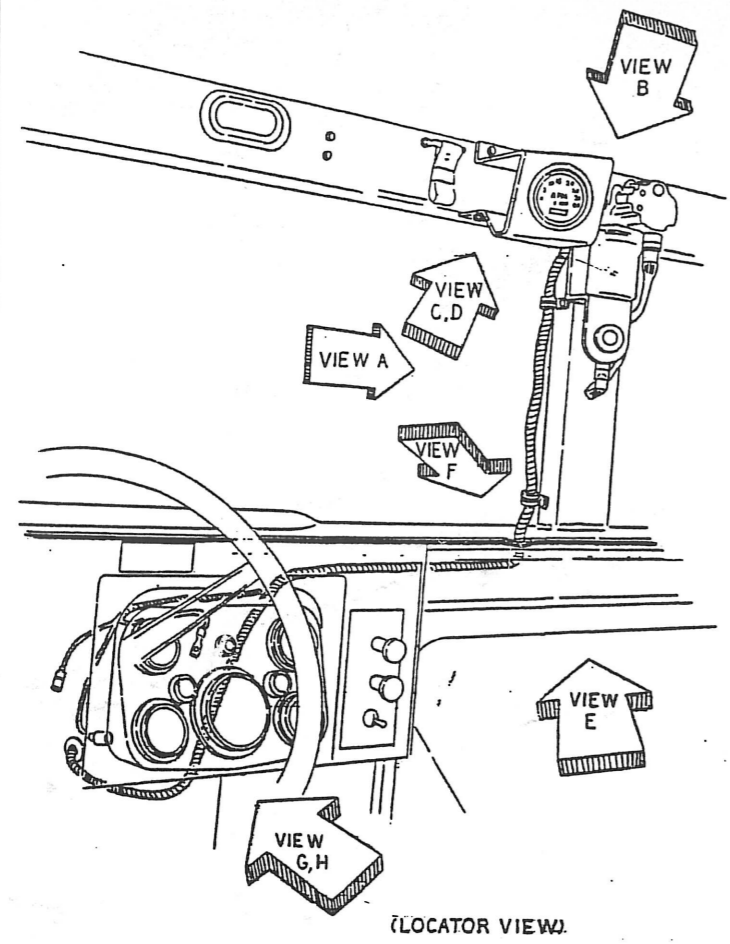


REV	DATE	BY	CHKD
1			
2			
3			
4			
5			

B\* I.WAS #10-24X.50 NV 1-24-03



6011537-E

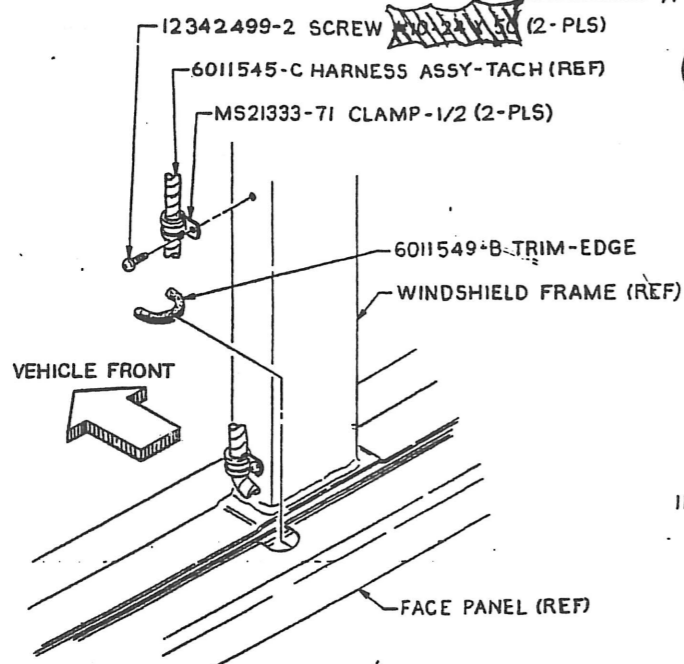
AM General Corporation	
INSTALLATION DRAWING FOR KIT - TACH/HOUR METER	
DATE	2-1-03
BY	R. FREYER
CHKD	
REV	1
HMMWV A2	
SHEET 1 OF 1	
6011537-E	

HMMWV-DIRECT SALES

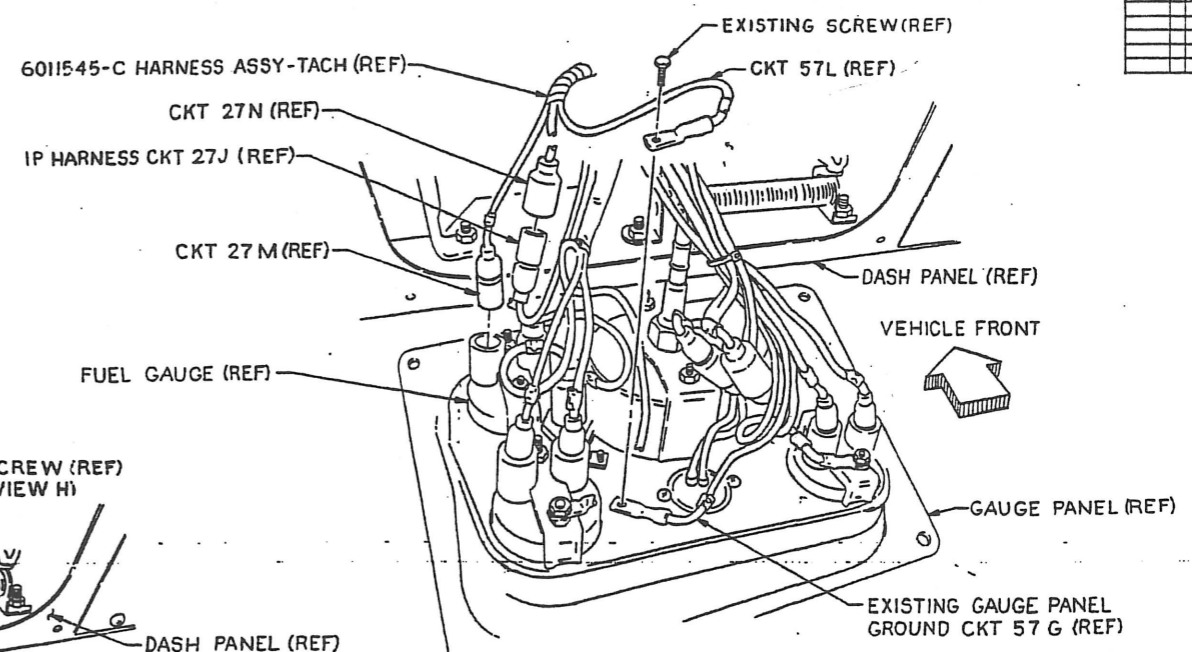
REV	NO	DATE	BY	CHK	APP

#10-32 X .62

B\*

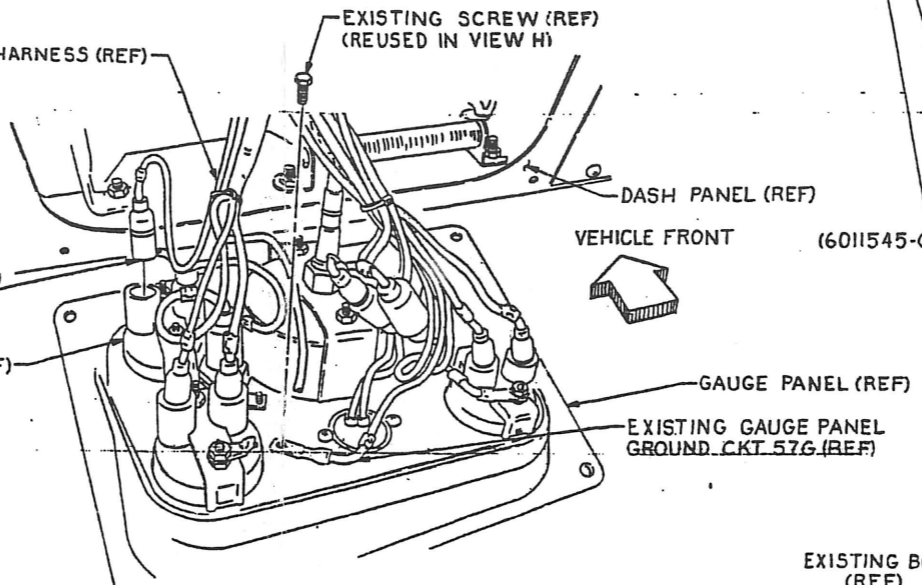


VIEW F

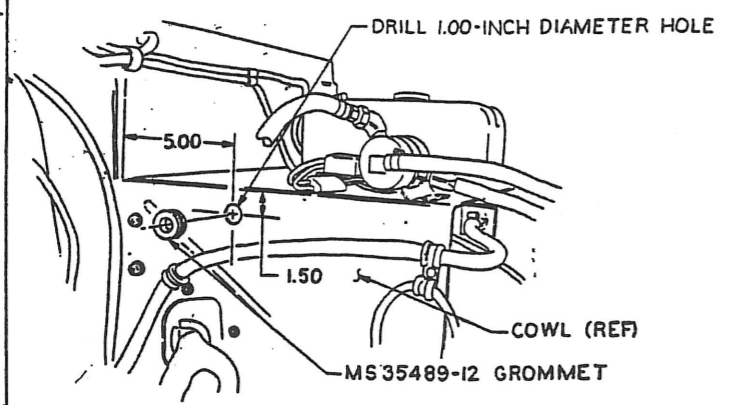


VIEW H  
(6011545-C HARNESS ASSY-TACH CONNECTION TO IP)

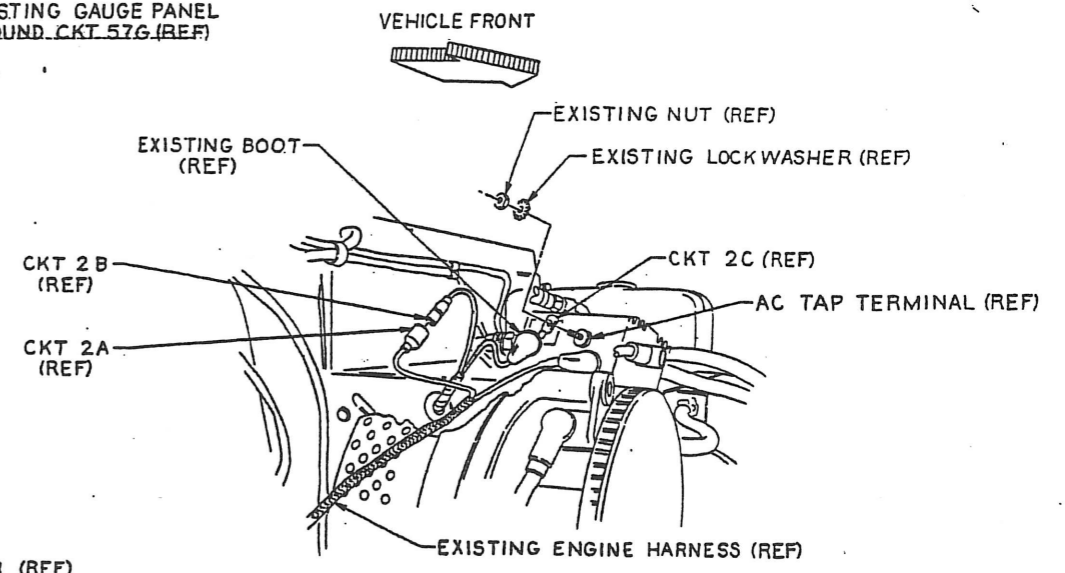
REMOVE EXISTING CKT 27J FROM FUEL GAUGE



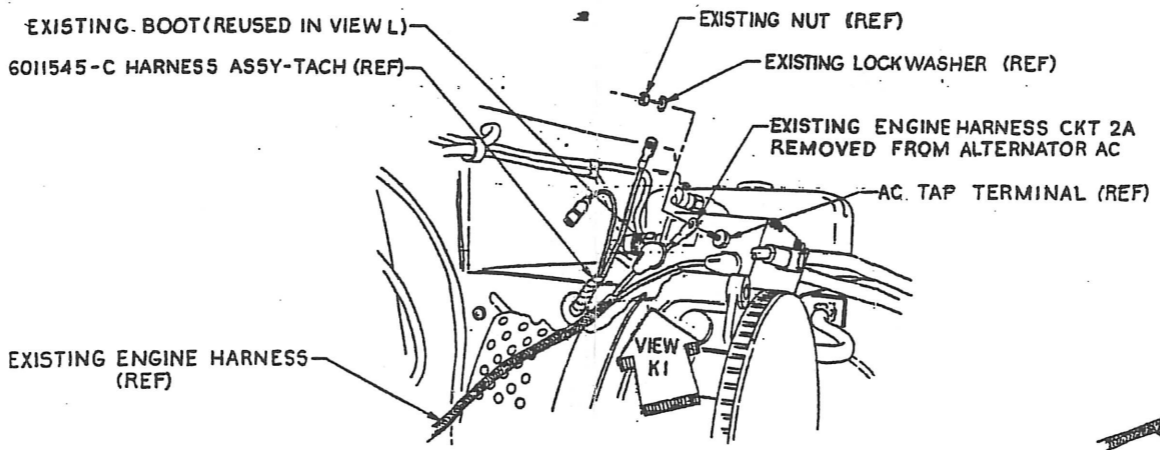
VIEW C



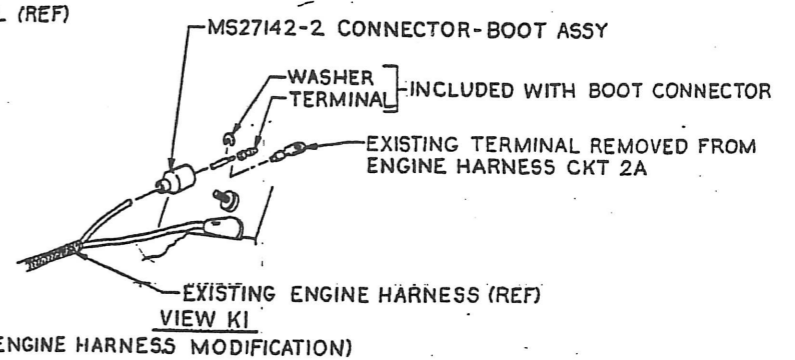
VIEW J



VIEW L  
(6011545-C HARNESS ASSY-TACH CONNECTION TO ALTERNATOR, ENGINE HARNESS)



VIEW K



VIEW KI  
(ENGINE HARNESS MODIFICATION)

6011537-E

PROPRIETARY DATA PROPERTY OF AM GENERAL CORPORATION TOLERANCES - UNLESS OTHERWISE SPECIFIED <input type="checkbox"/> FRACTIONAL DECIMAL <input type="checkbox"/> DECIMAL INCH <input type="checkbox"/> MILLIMETER (MILLIMETERS)					
DIMENSIONS UNLESS OTHERWISE SPECIFIED DIMENSIONS ARE IN INCHES DIMENSIONS ARE IN MILLIMETERS	DIMENSIONS UNLESS OTHERWISE SPECIFIED DIMENSIONS ARE IN INCHES DIMENSIONS ARE IN MILLIMETERS	DIMENSIONS UNLESS OTHERWISE SPECIFIED DIMENSIONS ARE IN INCHES DIMENSIONS ARE IN MILLIMETERS	DIMENSIONS UNLESS OTHERWISE SPECIFIED DIMENSIONS ARE IN INCHES DIMENSIONS ARE IN MILLIMETERS	DIMENSIONS UNLESS OTHERWISE SPECIFIED DIMENSIONS ARE IN INCHES DIMENSIONS ARE IN MILLIMETERS	DIMENSIONS UNLESS OTHERWISE SPECIFIED DIMENSIONS ARE IN INCHES DIMENSIONS ARE IN MILLIMETERS
AM General Corporation LYONIA, ILLINOIS					
INFORMATION FURNISHED HEREIN IS THE PROPERTY OF AM GENERAL CORPORATION AND SHALL NOT BE LOANED, REPRODUCED OR COPIED WITHOUT THE EXPRESS WRITTEN CONSENT OF AM GENERAL CORPORATION.					
DATE 2-1-00	DRAWN BY R. FRENCHER	CHECKED BY R. FRENCHER	APPROVED BY R. FRENCHER	DATE 2-1-00	DRAWN BY R. FRENCHER
INSTALLATION DRAWING FOR KIT-TACH/HOUR METER					
SHEET NO. 2	SHEET TOTAL 2	PART NO. 6011537-	REV. E	DATE 2-1-00	DRAWN BY R. FRENCHER

HMMWV-DIRECT SALES